

United
States
of
America



To Promote the Progress



of Science and Useful Arts

The Director

of the United States Patent and Trademark Office has received an application for a patent for a new, original, and ornamental design for an article of manufacture. The title and description of the design are enclosed. The requirements of law have been complied with, and it has been determined that a patent on the design shall be granted under the law.

Therefore, this United States

Patent

grants to the person(s) having title to this patent the right to exclude others from making, using, offering for sale, or selling the design throughout the United States of America or importing the design into the United States of America for the term set forth by law.

Coke Mayo Smead

ACTING DIRECTOR OF THE UNITED STATES PATENT AND TRADEMARK OFFICE

Maintenance Fee Notice

No maintenance fees are required in design patents.

Patent Term Notice

If the application for this patent was filed on or after May 13, 2015, the term of this patent is 15 years from the date of grant of this patent, subject to any disclaimer under 35 U.S.C. 253. If the application for this patent was filed prior to May 13, 2015, the term of this patent is 14 years from the date of grant of this patent, subject to any disclaimer under 35 U.S.C. 253.



USOD1076860S

(12) **United States Design Patent**
Fathollahi

(10) **Patent No.:** **US D1,076,860 S**

(45) **Date of Patent:** **** May 27, 2025**

- (54) **SPEAKER**
- (71) Applicant: **Nausser Fathollahi**, Irvine, CA (US)
- (72) Inventor: **Nausser Fathollahi**, Irvine, CA (US)
- (**) Term: **15 Years**
- (21) Appl. No.: **29/874,645**

D671,528 S	11/2012	Fathollahi	
D681,008 S	4/2013	Fathollahi	
D700,591 S	3/2014	Xiao et al.	
D727,877 S *	4/2015	Seoc	D14/216
D756,956 S	5/2016	Van Den Nieuwenhuizen et al.	
D801,305 S	10/2017	Vaclavik et al.	
D808,926 S *	1/2018	Kim	D14/216
D810,015 S	2/2018	Carreon et al.	
D844,589 S	4/2019	Yang et al.	

(Continued)

- (22) Filed: **Apr. 22, 2023**
- (51) **LOC (15) Cl.** **14-01**
- (52) **U.S. Cl.**
- USPC **D14/204**
- (58) **Field of Classification Search**
- USPC D14/125, 155, 160, 168, 170–172, 188,
D14/204, 209.1, 210, 213–216, 219, 222,
D14/240, 300, 356, 358, 363, 509
- CPC ... H04R 9/06; H04R 5/02; H04R 1/02; H04R
1/026; H04R 1/345; H04R 1/2834; H04R
1/2888; H04R 1/288; H04R 1/2819;
H04R 2400/07; H04R 2400/11; H04R
3/12
- See application file for complete search history.

FOREIGN PATENT DOCUMENTS

CN 307725270 12/2022

OTHER PUBLICATIONS

Creation Networks, Soundtube FP6020-II 20" Stereo Dual-Parabolic SoundDome Speaker in Clear, URL: <https://creationnetworks.net/products/soundtube-fp6020-ii-20-stereo-dual-parabolic-sounddome-speaker-in-clear?>.

(Continued)

Primary Examiner — Khawaja Anwar
Assistant Examiner — Megan Tiana Rakos
(74) *Attorney, Agent, or Firm* — CIONCA IP Law P.C.

(56) **References Cited**

U.S. PATENT DOCUMENTS

D70,278 S	6/1926	Hopkins	
D261,645 S	11/1981	Babb	
D288,560 S *	3/1987	Anderson	D14/212
D292,283 S	10/1987	Matsuda et al.	
D364,167 S *	11/1995	Daniels	D14/221
D503,704 S *	4/2005	Yao	D14/216
D542,273 S	5/2007	Park et al.	
D577,356 S *	9/2008	Moon	D14/215
D589,495 S	3/2009	McKeand	
D611,035 S *	3/2010	Fukai	D14/215
D640,233 S	6/2011	Fathollahi	
D640,234 S	6/2011	Fathollahi	
D640,235 S	6/2011	Fathollahi	
D640,236 S	6/2011	Fathollahi	
D651,194 S	12/2011	Fathollahi	
D659,674 S	5/2012	Fathollahi	
D671,524 S	11/2012	Fathollahi	

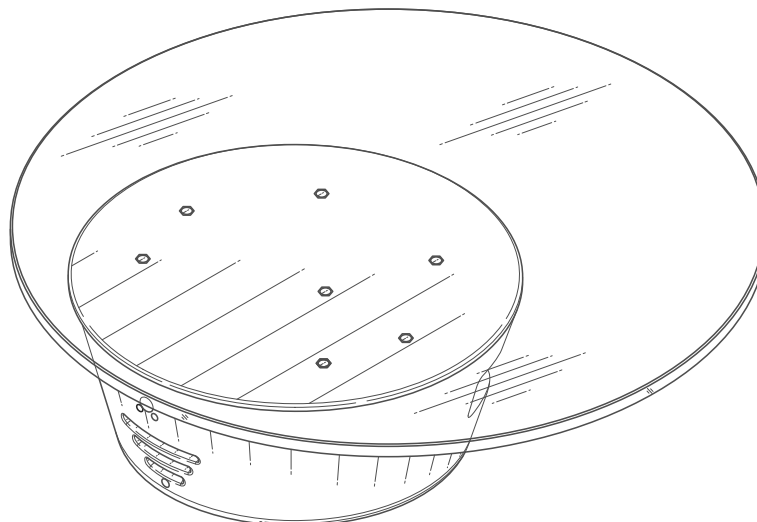
(57) **CLAIM**

The ornamental design for a speaker as shown and described.

DESCRIPTION

FIG. 1 is a perspective view of a speaker showing my design;
FIG. 2 is another perspective view thereof;
FIG. 3 is a front elevational view thereof;
FIG. 4 is a rear elevational view thereof;
FIG. 5 is a left side elevational view thereof;
FIG. 6 is a right side elevational view thereof;
FIG. 7 is a top end plan view thereof; and,
FIG. 8 is a bottom end plan view thereof.

1 Claim, 6 Drawing Sheets



(56)

References Cited

U.S. PATENT DOCUMENTS

D864,911	S	*	10/2019	Espinosa	D14/216
D889,434	S		7/2020	Xie	
D967,053	S		10/2022	Vozzi et al.	
D980,191	S		3/2023	Puckett	
D1,010,598	S		1/2024	Harris et al.	
D1,031,695	S	*	6/2024	Muramoto	D14/216
2012/0148084	A1		6/2012	Fathollahi	

OTHER PUBLICATIONS

Ibspot.com, Betnew A5 Metallic Round Bluetooth Wireless Speaker 20W w/ 3D Stereo Surround, URL: <https://ibspot.com/products/betnew-a5-metallic-round-bluetooth-wireless-speaker-20w-w-3d-stereo-surround?>

Blurppy, Frame Glass Speakers: Another Sound Dimension, Dec. 2, 2011, URL: <https://blurppy.wordpress.com/2011/12/21/frame-glass-speakers-another-sound-dimension-2/>.

* cited by examiner

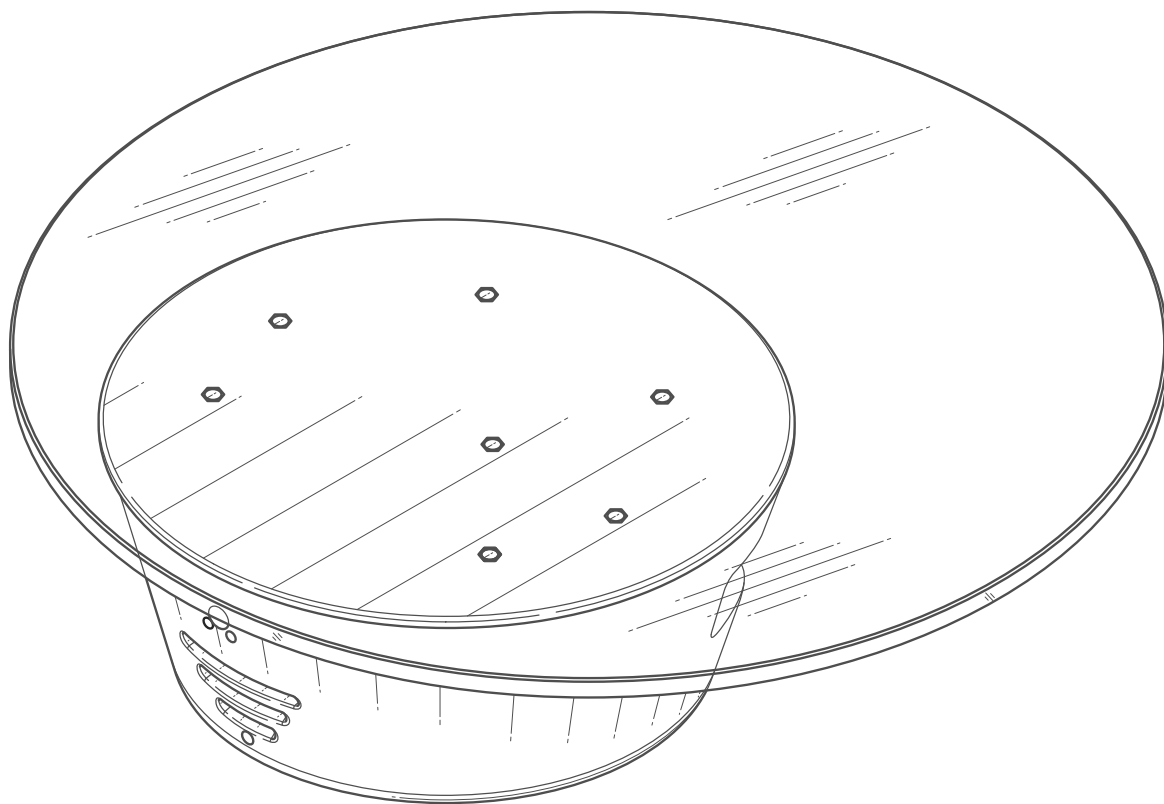


FIG. 1

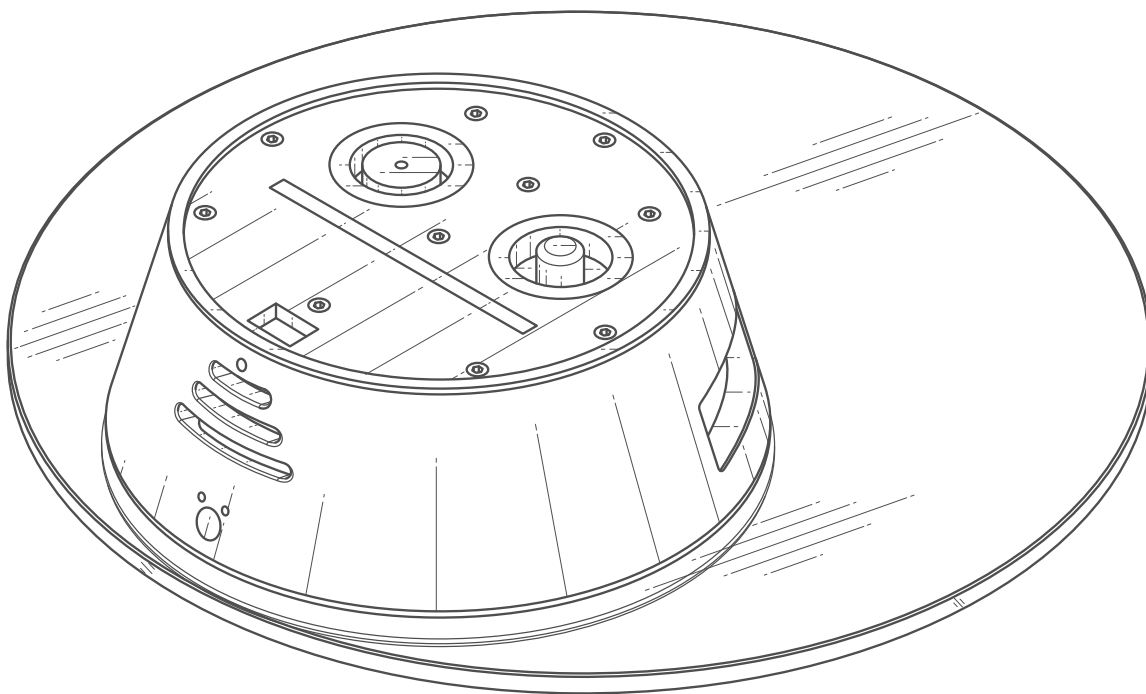


FIG. 2

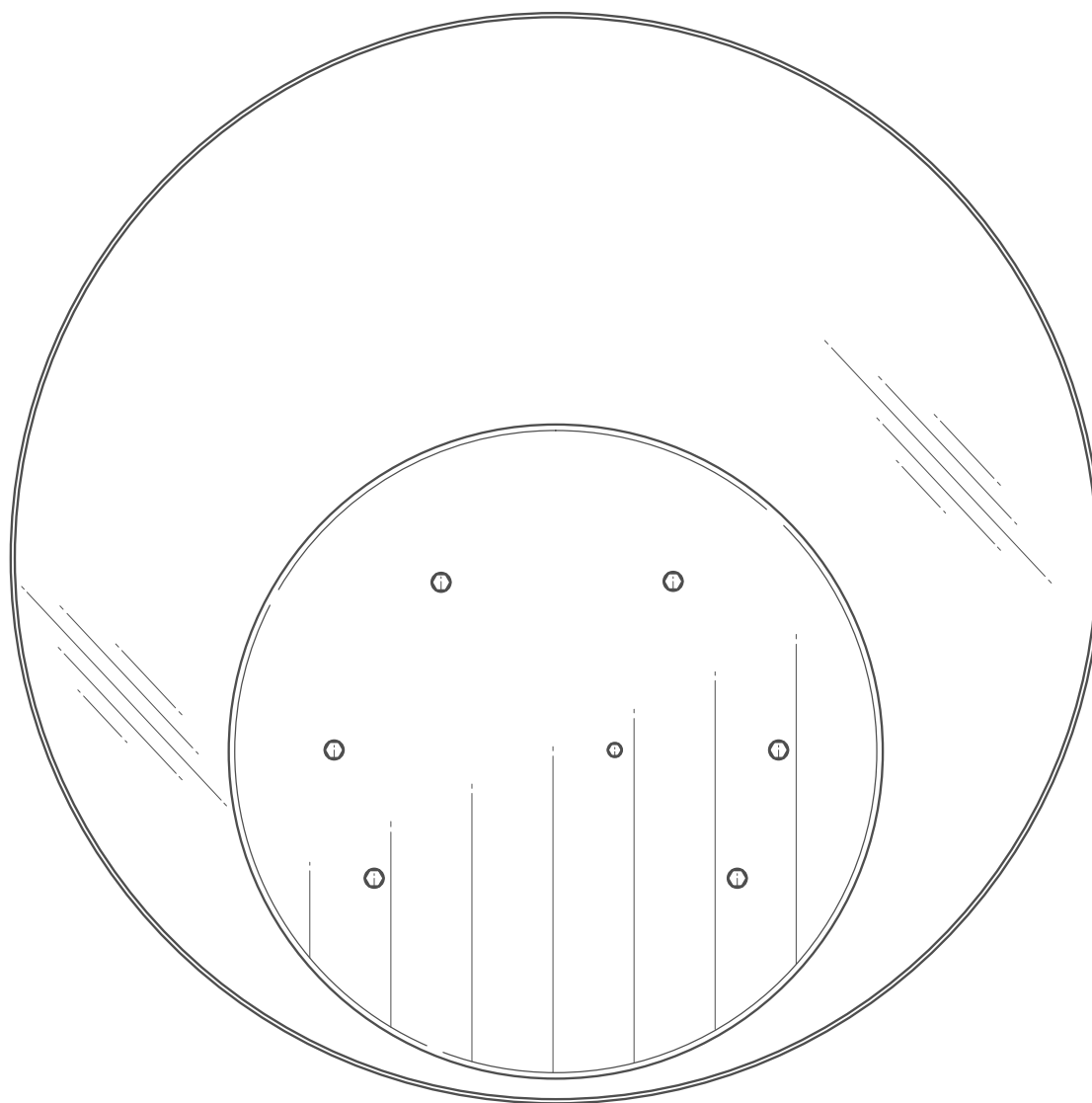


FIG. 3

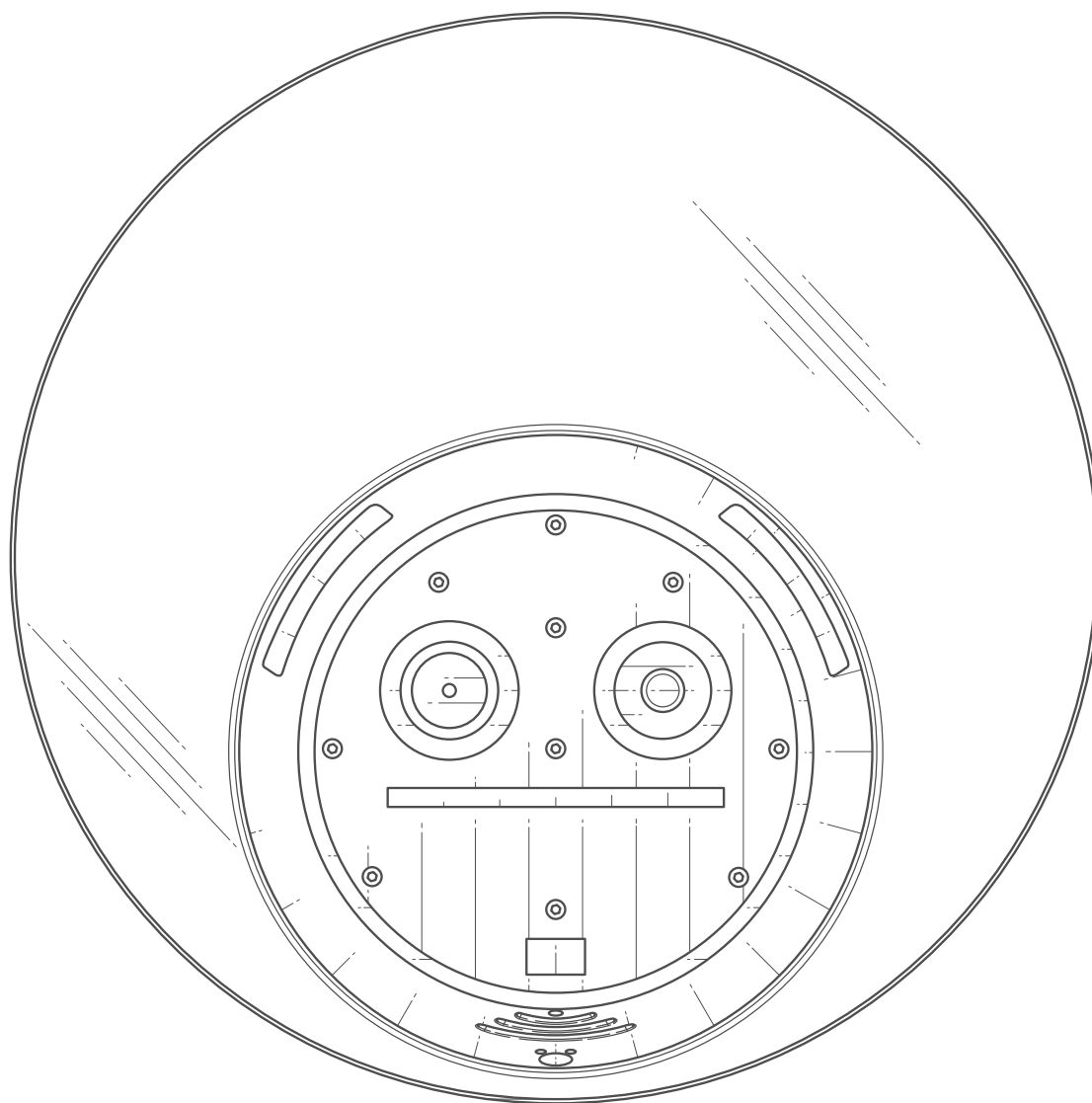


FIG. 4

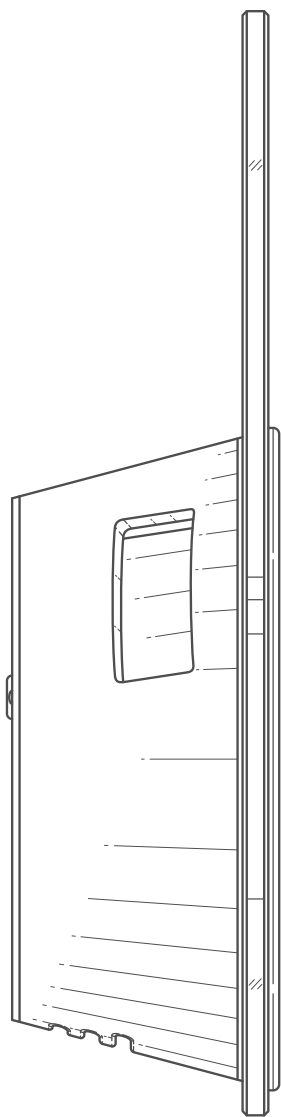


FIG. 5

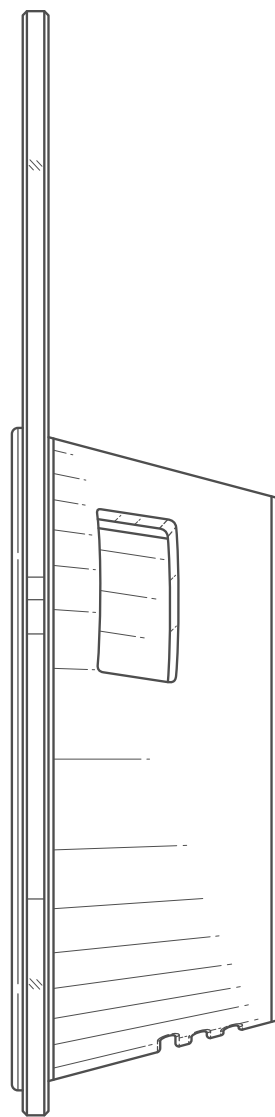


FIG. 6

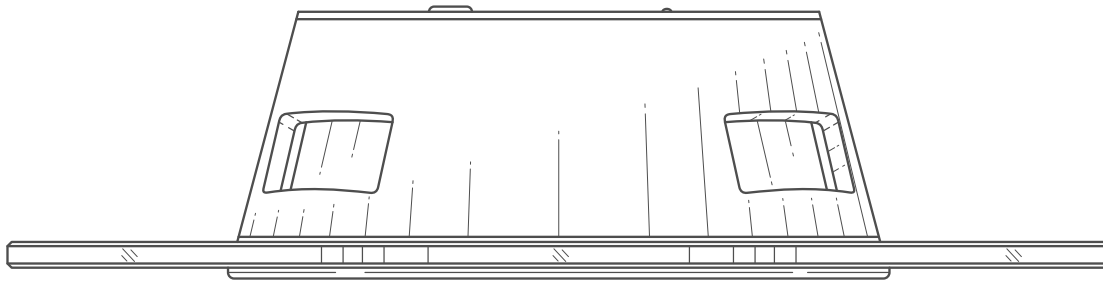


FIG. 7

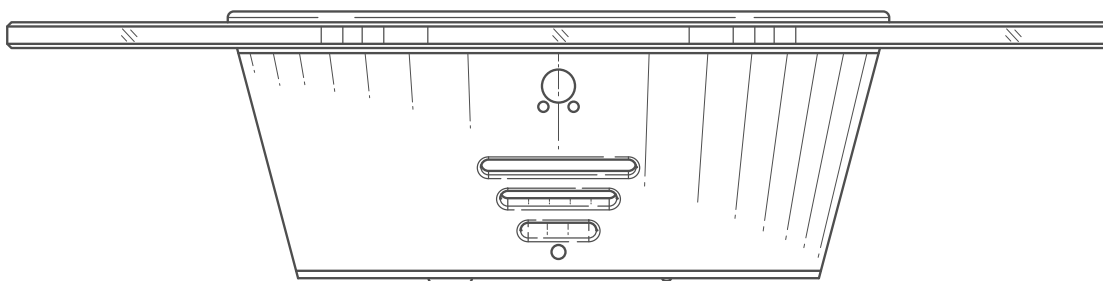


FIG. 8