

United
States
of
America



To Promote the Progress



of Science and Useful Arts

The Director

of the United States Patent and Trademark Office has received an application for a patent for a new, original, and ornamental design for an article of manufacture. The title and description of the design are enclosed. The requirements of law have been complied with, and it has been determined that a patent on the design shall be granted under the law.

Therefore, this United States

Patent

grants to the person(s) having title to this patent the right to exclude others from making, using, offering for sale, or selling the design throughout the United States of America or importing the design into the United States of America for the term set forth by law.



DIRECTOR OF THE UNITED STATES PATENT AND TRADEMARK OFFICE

Maintenance Fee Notice

No maintenance fees are required in design patents.

Patent Term Notice

If the application for this patent was filed on or after May 13, 2015, the term of this patent is 15 years from the date of grant of this patent, subject to any disclaimer under 35 U.S.C. 253. If the application for this patent was filed prior to May 13, 2015, the term of this patent is 14 years from the date of grant of this patent, subject to any disclaimer under 35 U.S.C. 253.



USOD1103136S

(12) **United States Design Patent**
Fathollahi

(10) **Patent No.:** **US D1,103,136 S**

(45) **Date of Patent:** **** Nov. 25, 2025**

(54) **SPEAKER**

(71) Applicant: **Nausser Fathollahi**, Irvine, CA (US)

(72) Inventor: **Nausser Fathollahi**, Irvine, CA (US)

(**) Term: **15 Years**

(21) Appl. No.: **29/874,644**

(22) Filed: **Apr. 22, 2023**

(51) **LOC (15) Cl.** **14-01**

(52) **U.S. Cl.**

USPC **D14/204**

(58) **Field of Classification Search**

USPC D3/201, 205, 206, 272, 273, 276, 281,
D3/283-285, 289-291, 294-297,
D3/299-301, 303, 318, 321, 322, 901,
D3/903, 905; D6/310-314, 626; D7/601,
D7/602; D13/103, 107, 108, 119;
D14/204-206, 216, 210-215

CPC A45C 11/00; A45C 11/001; A45C 11/16;
A45C 13/08; A47B 88/00

See application file for complete search history.

(56) **References Cited**

U.S. PATENT DOCUMENTS

D70,278 S *	6/1926	Hopkins	D14/211
D261,645 S *	11/1981	Babb	D14/212
D288,560 S *	3/1987	Anderson	D14/212
D292,283 S *	10/1987	Matsuda	D14/240
D364,167 S	11/1995	Daniels		
D503,704 S	4/2005	Yao		
D542,273 S *	5/2007	Park	D14/215
D577,356 S	9/2008	Moon et al.		
D589,495 S *	3/2009	McKeand	D14/215
D611,035 S	3/2010	Fukai et al.		
D640,233 S	6/2011	Fathollahi		
D640,234 S	6/2011	Fathollahi		
D640,235 S	6/2011	Fathollahi		
D640,236 S	6/2011	Fathollahi		
D651,194 S	12/2011	Fathollahi		
D659,674 S	5/2012	Fathollahi		

D671,524 S	11/2012	Fathollahi		
D671,528 S	11/2012	Fathollahi		
D681,008 S	4/2013	Fathollahi		
D700,591 S *	3/2014	Xiao	D14/216
D727,877 S	4/2015	Seoc		

(Continued)

FOREIGN PATENT DOCUMENTS

CN 307725270 * 12/2022

OTHER PUBLICATIONS

Betnew A5 Metallic Round Bluetooth Wireless Speaker, available at ibspot.com, date not available [online], site visited Jan. 23, 2025, available from the internet URL: <https://ibspot.com/products/betnew-a5-metallic-round-bluetooth-wireless-speaker-20w-w-3d-stereo-surround?> (Year: 2025).*

(Continued)

Primary Examiner — Garth Rademaker

Assistant Examiner — Jillian Mazzola

(74) *Attorney, Agent, or Firm* — CIONCA IP Law P.C.

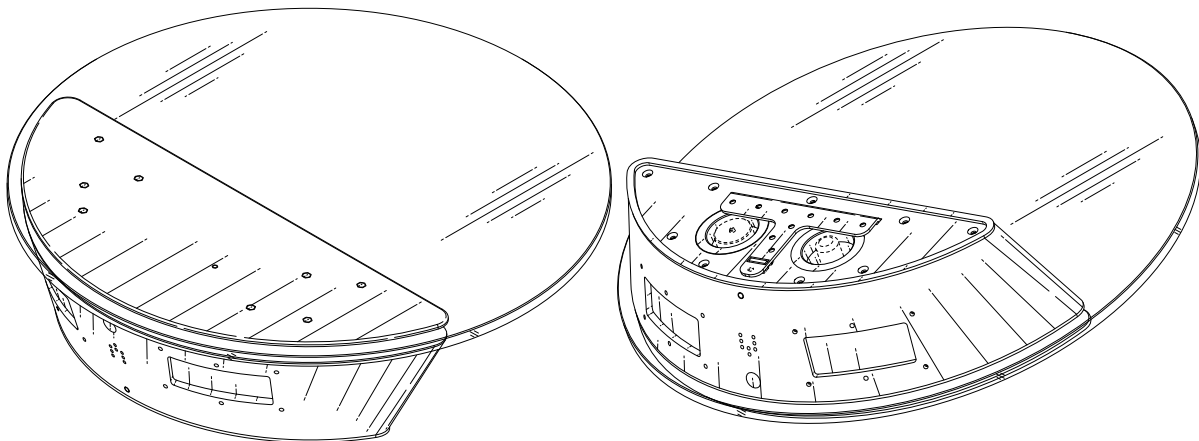
(57) **CLAIM**

The ornamental design for a speaker as shown and described.

DESCRIPTION

FIG. 1 is a perspective view of a speaker showing my design;
FIG. 2 is another perspective view thereof;
FIG. 3 is a front elevational view thereof;
FIG. 4 is a rear elevational view thereof;
FIG. 5 is a left side elevational view thereof;
FIG. 6 is a right side elevational view thereof;
FIG. 7 is a top end plan view thereof; and,
FIG. 8 is a bottom end plan view thereof.
The broken lines depict non-claimed portions of the speaker that form no part of the claimed design.

1 Claim, 6 Drawing Sheets



(56)

References Cited

U.S. PATENT DOCUMENTS

D756,956 S * 5/2016 Van Den Nieuwenhuizen D14/204
D801,305 S * 10/2017 Vaclavik D14/215
D808,926 S 1/2018 Kim et al.
D810,015 S * 2/2018 Carreon D13/108
D844,589 S * 4/2019 Yang D14/230
D864,911 S 10/2019 Shi
D889,434 S * 7/2020 Xie D14/216
D967,053 S * 10/2022 Vozzi D14/204
D980,191 S * 3/2023 Puckett D14/216
D1,010,598 S * 1/2024 Harris D14/216
D1,031,695 S 6/2024 Muramoto
2012/0148084 A1 6/2012 Fathollahi

OTHER PUBLICATIONS

Frame Glass Speakers: Another Sound Dimension, available at blurppy.wordpress.com, Posted on Dec. 21, 2011 [online], site visited Jan. 23, 2025, available from the internet URL: <https://blurppy.wordpress.com/2011/12/21/frame-glass-speakers-another-sound-dimension-2/> (Year: 2011).*

Soundtube, available at creationnetworks.com, date not available [online], site visited Jan. 23, 2025, available from the internet URL: <https://creationnetworks.net/products/soundtube-fp6020-ii-20-stereo-dual-parabolic-sounddome-speaker-in-clear?> (Year: 2025).*

* cited by examiner

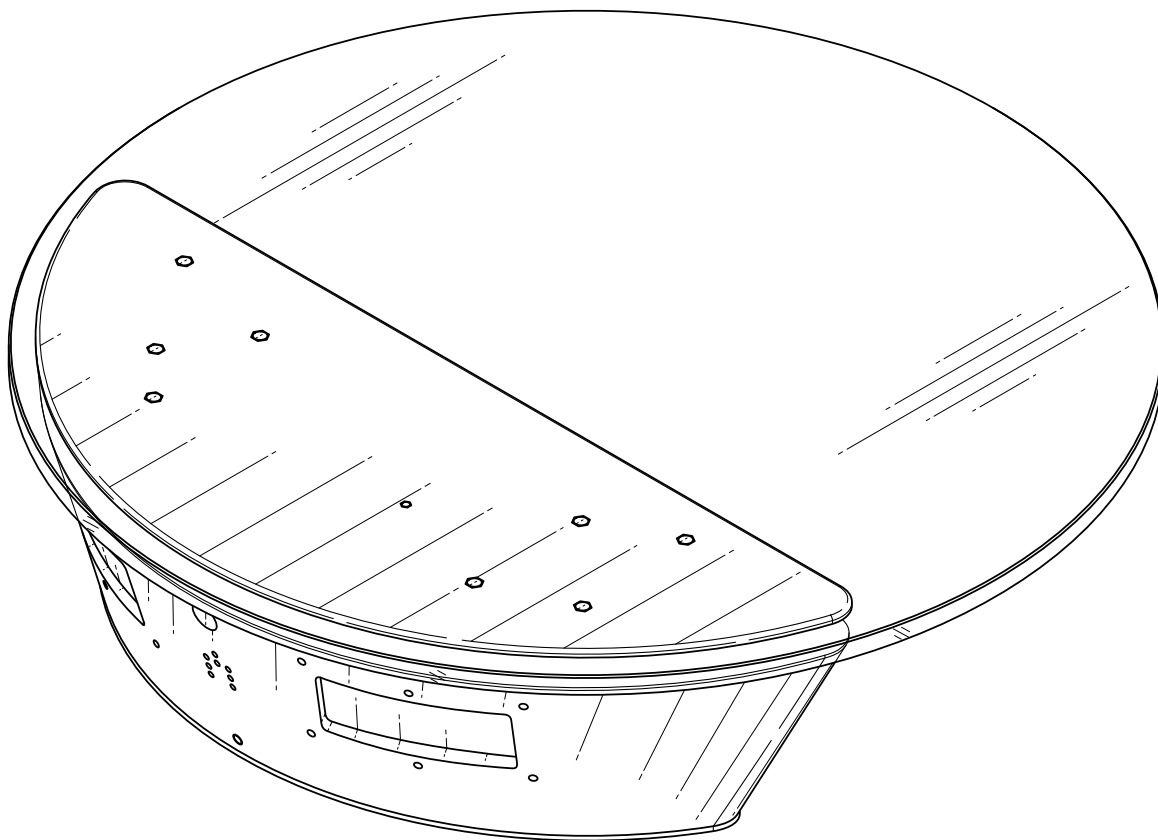


FIG. 1

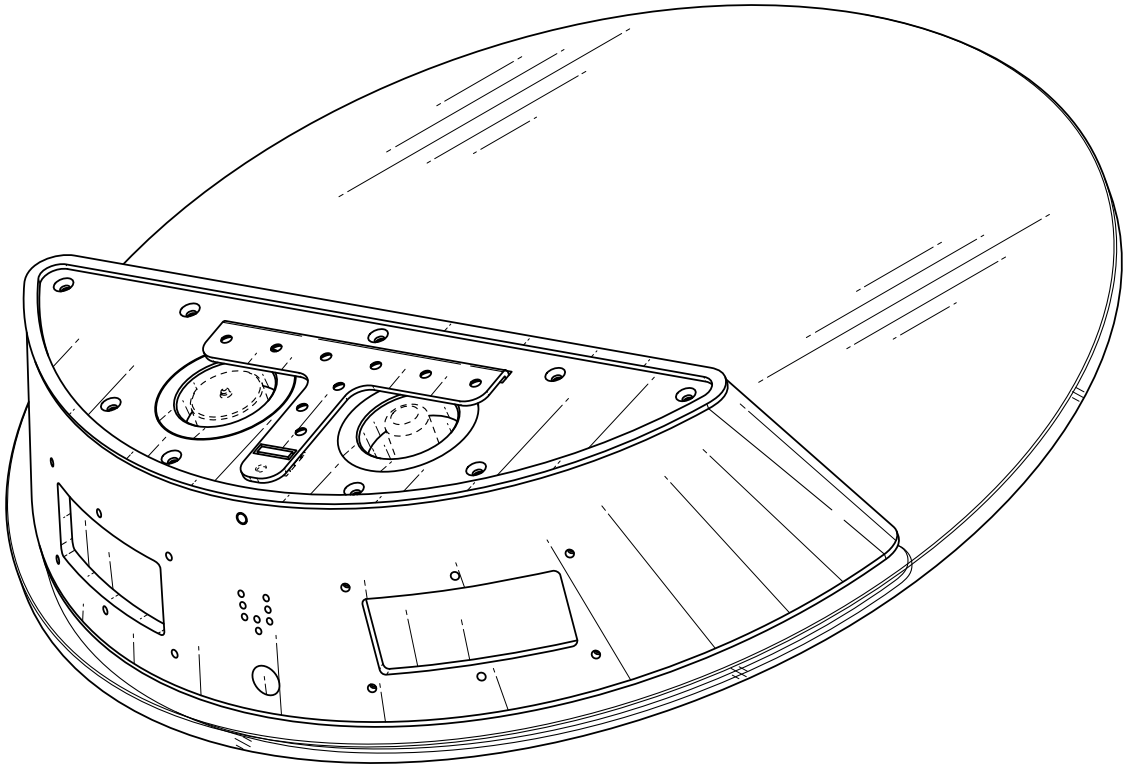


FIG. 2

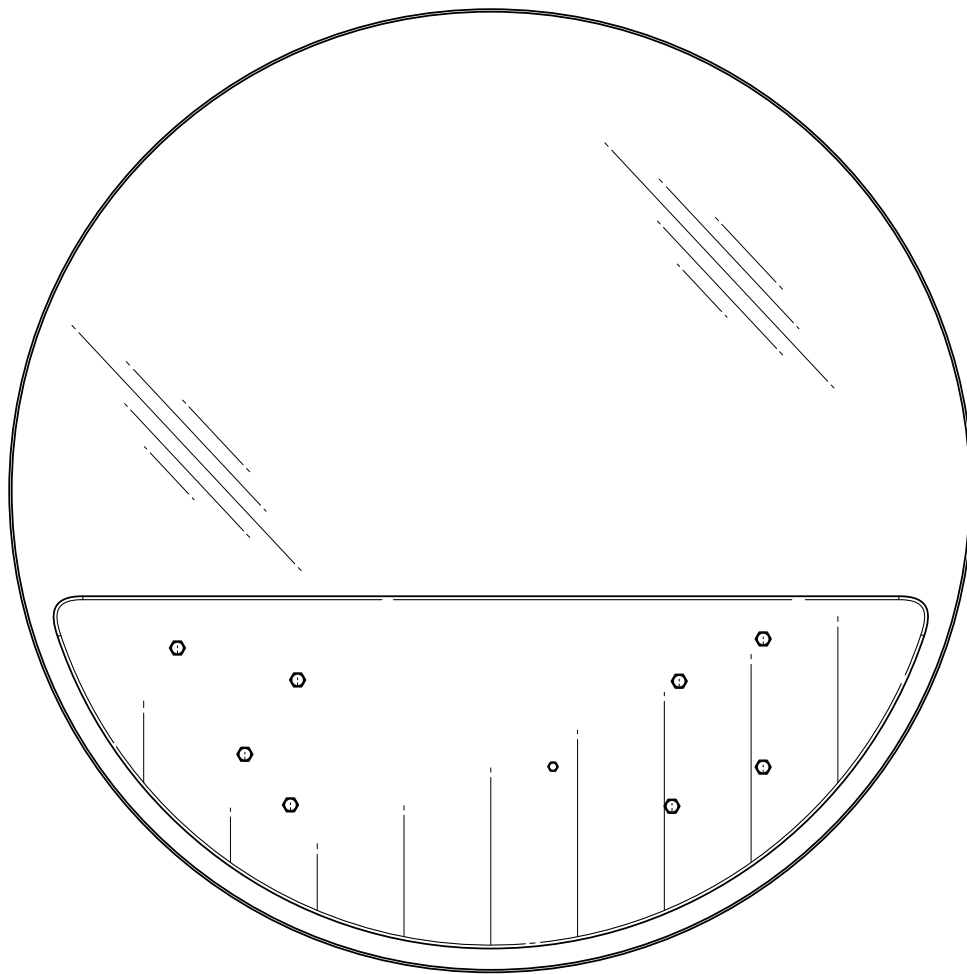


FIG. 3

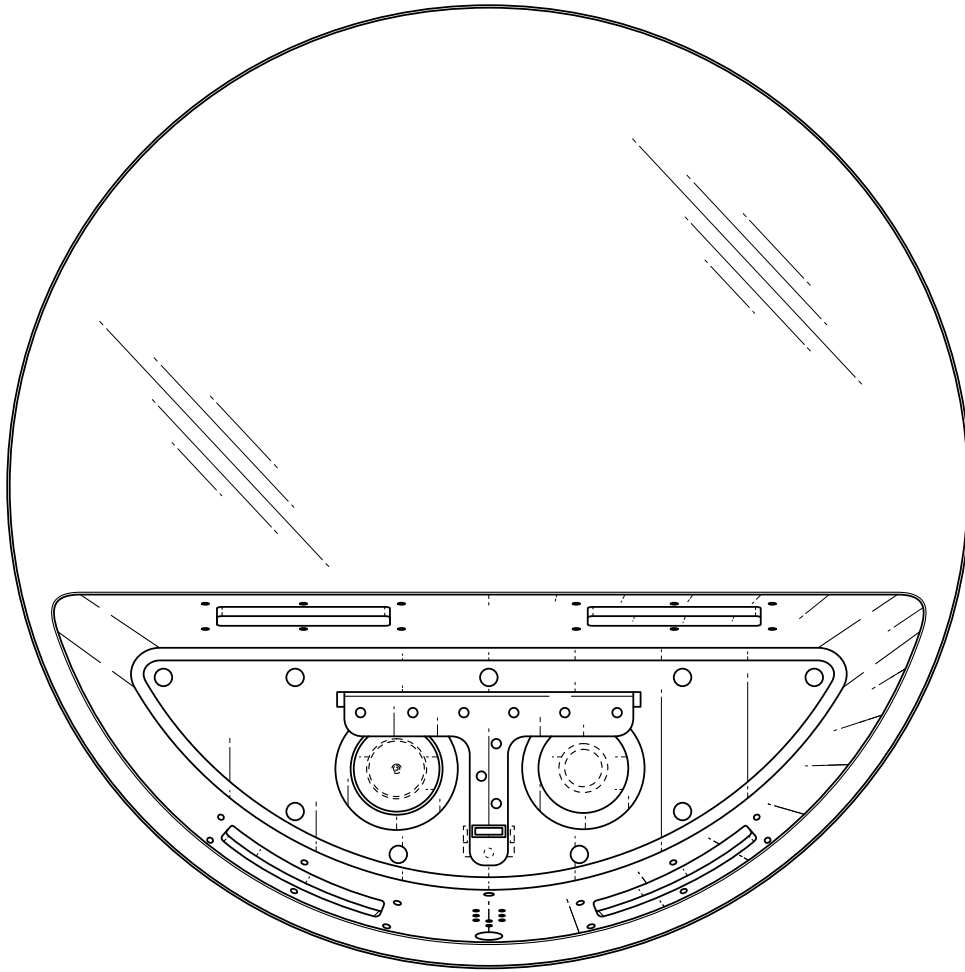


FIG. 4

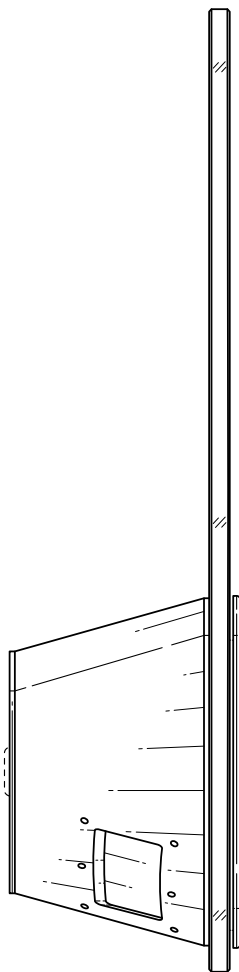


FIG. 5

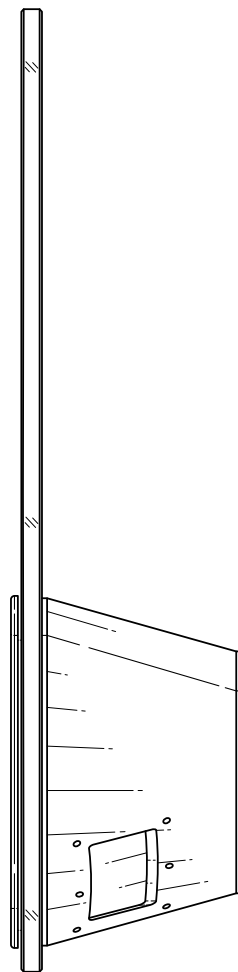


FIG. 6

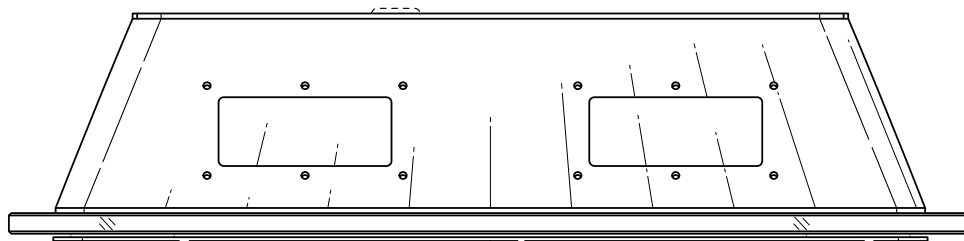


FIG. 7

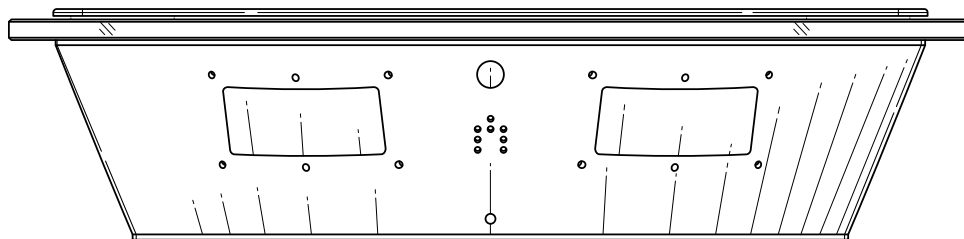


FIG. 8