



US00D640234S

(12) **United States Design Patent**
Fathollahi

(10) **Patent No.:** **US D640,234 S**

(45) **Date of Patent:** **** Jun. 21, 2011**

(54) **AUDIO SPEAKER**

Primary Examiner — Nanda Bondade

(76) Inventor: **Nausser Fathollahi**, Irvine, CA (US)

(74) *Attorney, Agent, or Firm* — Klein, O'Neill & Singh, LLP

(**) Term: **14 Years**

(21) Appl. No.: **29/366,570**

(57) **CLAIM**

(22) Filed: **Jul. 27, 2010**

The ornamental design for an audio speaker, as shown and described.

(51) **LOC (9) Cl.** **14-01**

(52) **U.S. Cl.** **D14/211; D14/214**

(58) **Field of Classification Search** D14/204,
D14/207, 209.1, 210-216, 172, 168; 181/143-144,
181/147-148, 150-153, 157, 198-199;
381/300-303, 306, 332-333, 336, 345, 361-364,
381/386-388

See application file for complete search history.

DESCRIPTION

FIG. 1 is perspective view of an audio speaker of the present invention;

FIG. 2 is a top plan view of FIG. 1;

FIG. 3 is a front elevation view of FIG. 1;

FIG. 4 is a rear elevation view of FIG. 1; and,

FIG. 5 is a side elevation view of FIG. 1, the opposing side being identical.

(56)

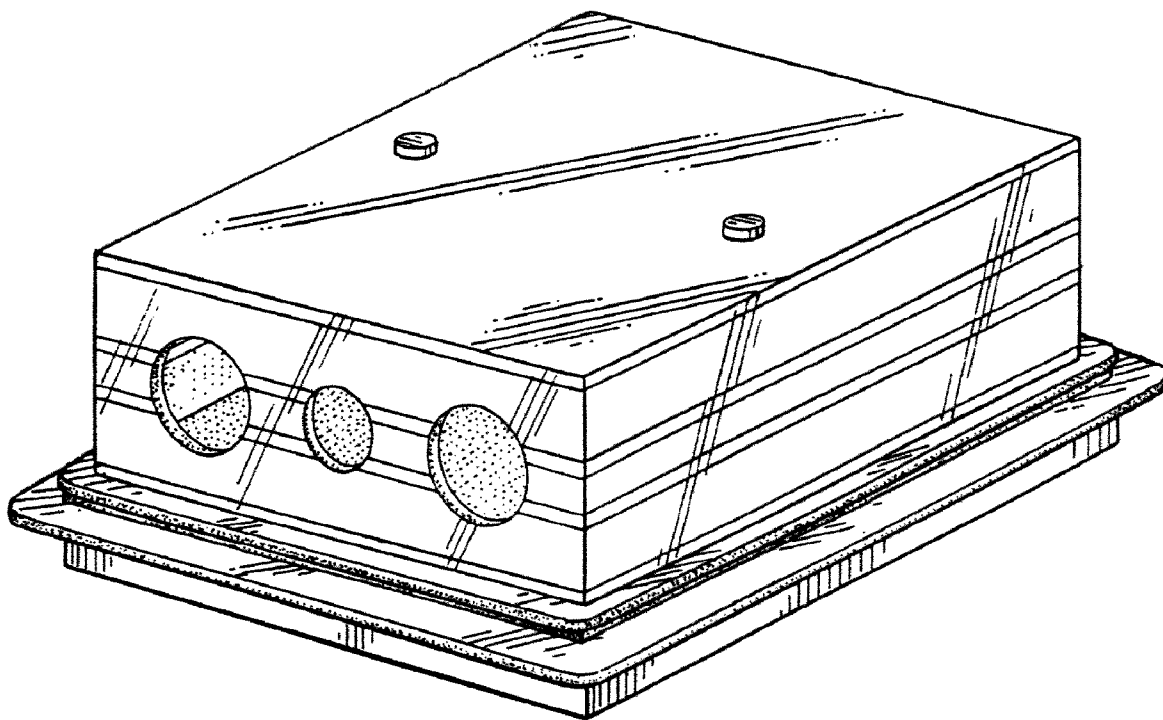
References Cited

U.S. PATENT DOCUMENTS

D256,463	S	*	8/1980	Barcus et al.	D14/212
D272,343	S	*	1/1984	Matsubara	D14/214
D394,064	S	*	5/1998	Freadman	D14/214
D587,676	S	*	3/2009	Alberdi Alorda	D14/188

* cited by examiner

1 Claim, 3 Drawing Sheets



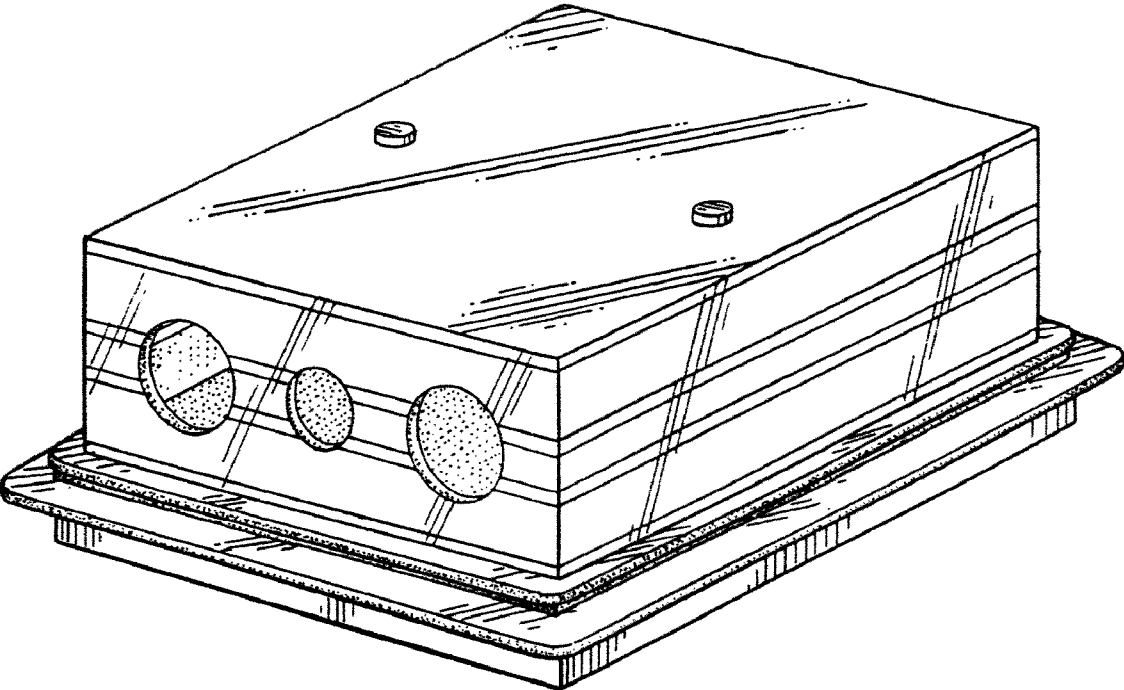


Fig. 1

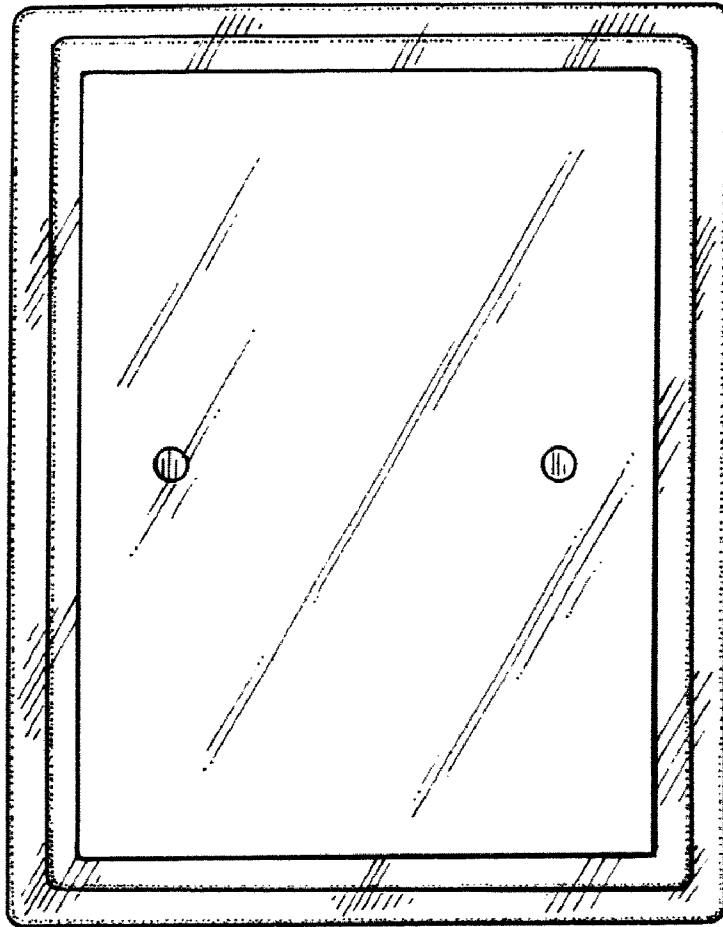


Fig. 2

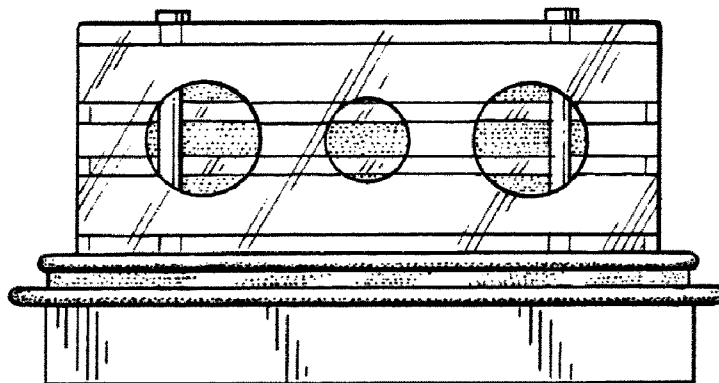


Fig. 3

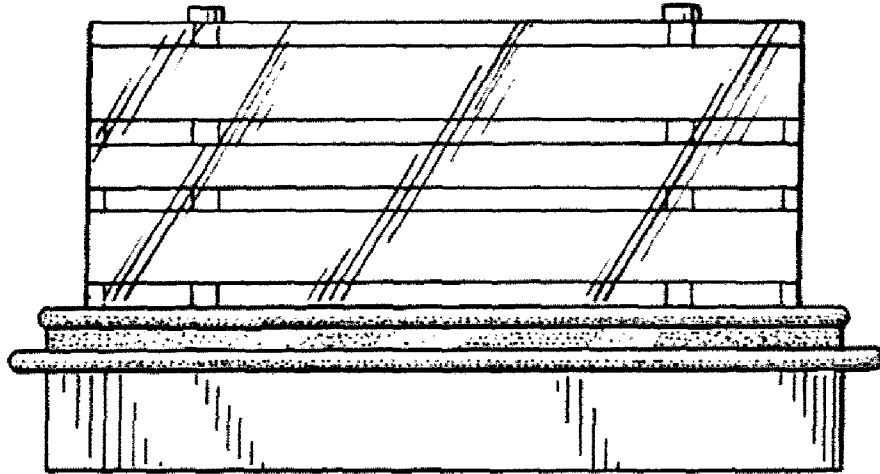


Fig. 4

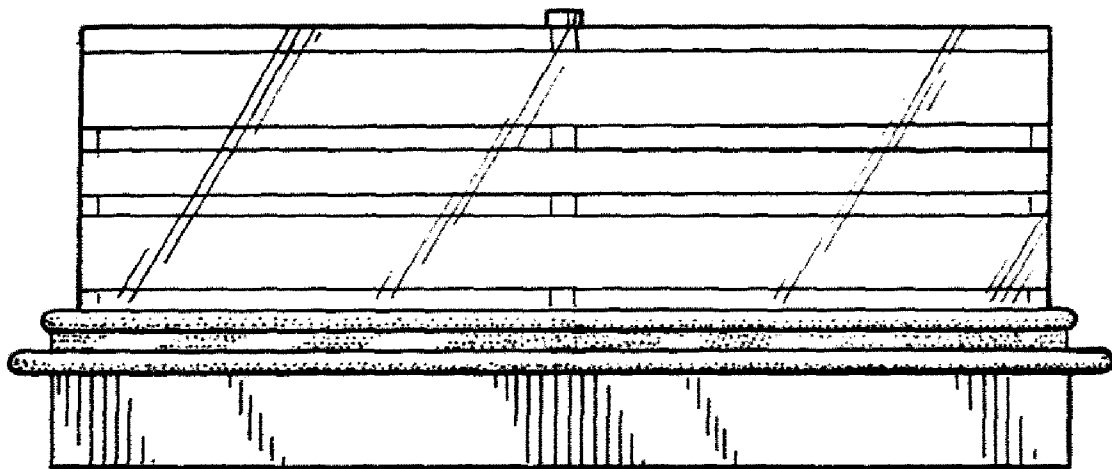


Fig. 5